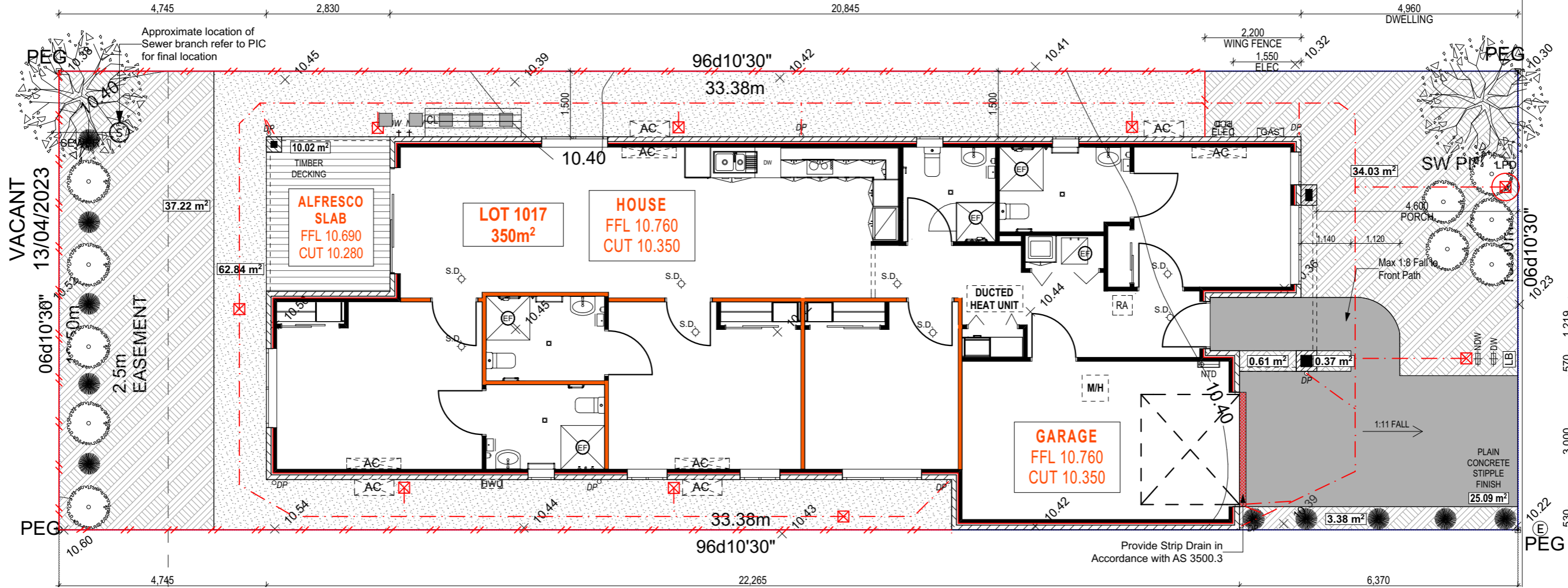


# LANDSCAPE PLAN

VACANT  
13/04/2023



LANDSCAPE TREE				
Symbol	Quantity	Name	Specifications	
	2	LAGERS TROEMIA	Name: Lagerstroemia indica x L. (or Similar) Mature Size (h x w): 4.0 X 3.0m Min 45Ltr Pot Size	
	10	BUTTER FLY FLAG	Name: Butterfly Flag (or Similar) Mature Size (h x w): 0.5 X 0.5m Min 150mm Pot size	
	10	HEEBIE JEEBIES	Name: Hebe "Heebie Jeebies" (or Similar) Mature Size (h x w): 1 X 1m Min 150mm Pot size	

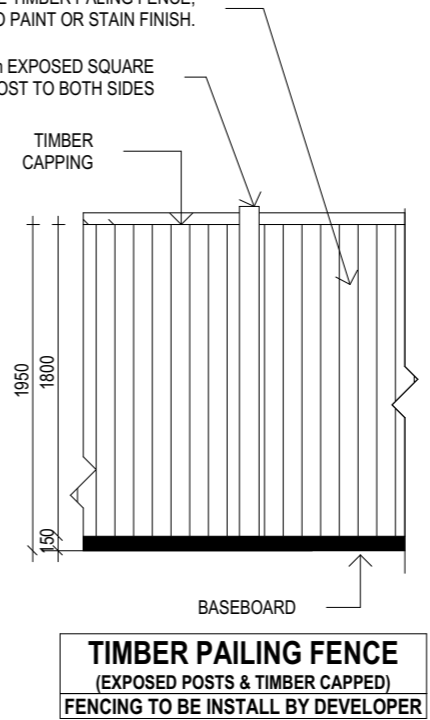
**LANDSCAPING**  
REFER TO THE LANDSCAPE SPECIFICATIONS FOR FINISHES DETAILS

**NOTES**

- THE FIRST 1M FROM THE HOUSE WILL HAVE 1:200 FALL - MINIMUM OF 50MM FALL
- SPOON DRAINS CREATED IN LANDSCAPE FALLING TO STORMWATER SYSTEM
- STORMWATER RISERS WILL BE CUT LEVEL WITH FINISH AND GRATE INSTALLED
- ALLOW FOR TIMBER EDGING TO ALL GARDEN AREAS & TUSCAN TOPPING UNLESS ADJACENT TO CONCRETE

**PLAIN CONCRETE:**  
STIPPLE FINISH ON CONCRETE PAVING ACHIEVES A SURFACE ROUGHNESS OF R13  
PROVIDE STIPPLE FINISH NON-SLIP CONCRETE PAVING IN ACCORDANCE WITH AS-1428.1 (2009)

TREATED PINE TIMBER PALING FENCE, NO PAINT OR STAIN FINISH.  
75mm X 125mm EXPOSED SQUARE PINE POST TO BOTH SIDES



## LANDSCAPE FEATURES

- CONCRETE PAVERS
- LB LETTER BOX
- CL CLOTHESLINE

SDM&IAM

LANDSCAPE		
LANDSCAPE FEATURES	Area	
COMPACTED TUSCAN TOPPING OR SIMILAR	62.84	
DRIVEWAYS & FRONT CONCRETE	25.09	
SELECTED GARDEN BED	75.61	
TIMBER DECKING	10.02	

<b>Address:</b>	<b>Title:</b> LANDSCAPE PLAN	<b>Revisions</b>		
<b>Client:</b>	Job Code: PAND1017 Drawn: TW	Rev.	Date	Comments
<b>For:</b>	Plan: MOSMAN.SINGLE Facade: 02	P	16/03/2023	WD PRELIMS
	Print Date: 4/05/2023 Issue Date: 16/03/2023	IFC	13/04/2023	ISSUED FOR CONSTRUCTION
	Sheet: WD.13 Scale: 1:100			
	<b>Issue:</b> WORKING DRAWINGS			